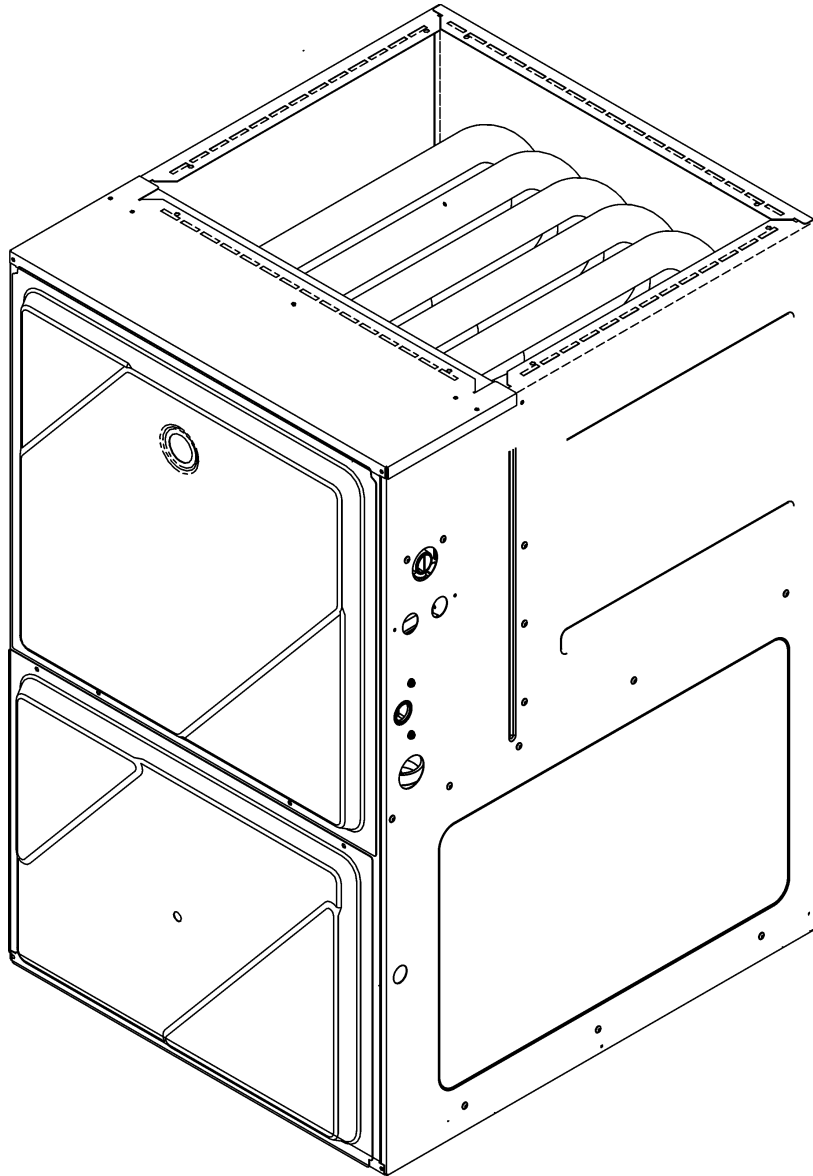


**GCSS96 96% PSC Counter Flow Furnace**

GCSS960402BNAA  
GCSS960603BNAA  
GCSS960804CNAA  
GCSS961005CNAA  
GCSS961205DNAA



This manual is to be used by qualified technicians only.

© 2014 Goodman Manufacturing Company, L.P. ♦ 5151 San Felipe St., Suite 500 ♦ Houston, TX 77056

# Important Information

---

## Index

Functional Parts List .....	3
Illustration and Parts .....	4 - 11

*Views shown are for parts illustrations only, not servicing procedures*

Short 90% Furnace Project

### Text Codes:

AR - As Required

NA - Not Available

NS - Not Shown

00000000 - See Note

QTY - Quantity Example (QTY 3) (If Quantity not shown, Quantity = 1)

M - Model Example (M1) (If M Code not shown, then part is used on all Models)

### Expanded Model Nomenclature:

Example M1 - Model#1 M2 - Model#2 M3 - Model#3
---

Goodman Manufacturing Company, L.P. is not responsible for personal injury or property damage resulting from improper service. Review all service information before beginning repairs.

Warranty service must be performed by an authorized technician, using authorized factory parts. If service is required after the warranty expires, Goodman Manufacturing Company, L.P. also recommends contacting an authorized technician and using authorized factory parts.

Goodman Manufacturing Company, L.P. reserves the right to discontinue, or change at any time, specifications or designs without notice or without incurring obligations.

For assistance within the U.S.A. contact:  
Consumer Affairs Department  
Goodman Manufacturing Company, L.P.  
7401 Security Way  
Houston, Texas 77040  
877-254-4729-Telephone  
713-863-2382-Facsimile

For assistance outside the U.S.A. contact:  
International Division  
Goodman Manufacturing Company, L.P.  
7401 Security Way  
Houston, Texas 77040  
713-861-2500-Telephone  
713-863-2382-Facsimile

# Functional Parts

## Part

**No:**            **Description:**

---

0163F00017	BECKETT BURNER (QTY A/R)
0271F00161	BLOWER SHELL & WHEEL ASSY (M4)
0271F00163	BLOWER SHELL & WHEEL ASSY (M5)
0150M00043	BLOWER WHEEL 10 X 8 (M1, M2)
CAP125000370VAP	CAP, 12.5 MFD/370V/OVAL (M1, M2)
CAP150000370VAP	CAP, 15 MFD/370V/OVAL (M4, M5)
CAP200000370VAP	CAP, 20 MFD/370V/OVAL (M3)
0130F00010	FLAME SENSOR
0151M00037	GAS VALVE
0257F00285	HEAT EXCHANGER ASSY (M1)
0257F00294	HEAT EXCHANGER ASSY (M5)
0257F00359	HEAT EXCHANGER ASSY (M3)
0257F00358	HEAT EXCHANGER ASSY (M2)
0257F00313	HEAT EXCHANGER ASSY. (M4)
B1370818	INTERLOCK SWITCH
10123534	MANUAL RESET LIMIT - ROS (M3)
10123539	MANUAL RESET LIMIT - ROS (M4, M5)
0130F00123	MANUAL RESET LIMIT - ROS (M1, M2)
0131F00038	MOTOR, 1/2 HP (M3)
0131F00027	MOTOR, 1/3HP, 4SP, 6PL (M1, M2)
0131F00031	MOTOR, 3/4 HP (M4, M5)
0171M00001	MOTOR-ID, BLOWER
PCBBF135	PCB, IGNITION, HSI, INTEG
0130F00476	PRESSURE SWITCH (-.1 / -.85) (M5)
0130F00477	PRESSURE SWITCH (-.1 / -1.27) (M3, M4)
0130F00478	PRESSURE SWITCH (-.1 / -1.49) (M1, M2)
20162903	PRIMARY LIMIT - BLUE (M4)
0130F00038	PRIMARY LIMIT - LT BLUE 120° (AUX) (QTY 2)
20162906	PRIMARY LIMIT - WHITE (M5)
0130F00071	PRIMARY LIMIT SWITCH (M3)
20162901	PRIMARY LIMIT-RED (M1, M2)
0130F00008	SINI IGNITOR
0130M00140	TRANSFORMER, 120V TO 24V,40VA

## SPECIAL PARTS

0161F00000P    GOODMAN NAMEPLATE

## Expanded Model Nomenclature

M1 - GCSS960402BNAA
M2 - GCSS960603BNAA
M3 - GCSS960804CNAA
M4 - GCSS961005CNAA
M5 - GCSS961205DNAA



# Cabinet

Ref. Part No: No:	Description:	Ref. Part No: No:	Description:
-------------------	--------------	-------------------	--------------

**Image 1:**

111	0154F00024	GASKET (QTY 2)
121	0154F00023	GASKET (QTY 2)
141	0161F00046	DRAIN TRAP
191	0121F00291DG	DOOR, ACCESS 17.5 PNT (M1, M2)
191	0121F00292DG	DOOR, ACCESS 21 PNT (M3, M4)
191	0121F00293DG	DOOR, ACCESS 24.5 PNT (M5)
201	0121F00288DG	DOOR, BLOWER 17.5 PNT (M1, M2)
201	0121F00289DG	DOOR, BLOWER 21 PNT (M3, M4)
201	0121F00290DG	DOOR, BLOWER 24.5 PNT (M5)
281	B1392139	VIEW PORT BUSHING-BLOWER DOOR (QTY 2)
311	0154F00020	DECK GASKET (M1, M2)
311	0154F00021	DECK GASKET (M3, M4)
311	0154F00022	DECK GASKET (M5)
341	0270F03125	CF DRAIN TUBE ASSY (M1, M2)
341	0270F03129	CF DRAIN TUBE ASSY (M3, M4)
341	0270F03130	CF DRAIN TUBE ASSY (M5)
351	0270F03126	CF DRAIN TUBE ASSY (M3, M4)
351	0270F03127	CF DRAIN TUBE ASSY (M5)
351	0270F03128	CF DRAIN TUBE ASSY (M1, M2)
441	0161F00064	PIPE, STRAIGHT CF (QTY 2)
451	M0501301	PIPE GROMMET
491	M0570808	BUTTON PLUG
501	M0570806	BUTTON PLUG (QTY 2)
521	0161M00027	HOLE PLUG
601	B1392021	PLASTIC PLUG, 1" (2713-BLK) (M1, M2, M3)
611	0163M00049	HOSE CLAMP (QTY 2)
741	B1392104	UNIVERSAL BUSHING UB 875
NS	M0310345	BUTTON PLUG (QTY 2)
NS	M0570807	BUTTON PLUG
NS	0161F00000P	GOODMAN NAMEPLATE

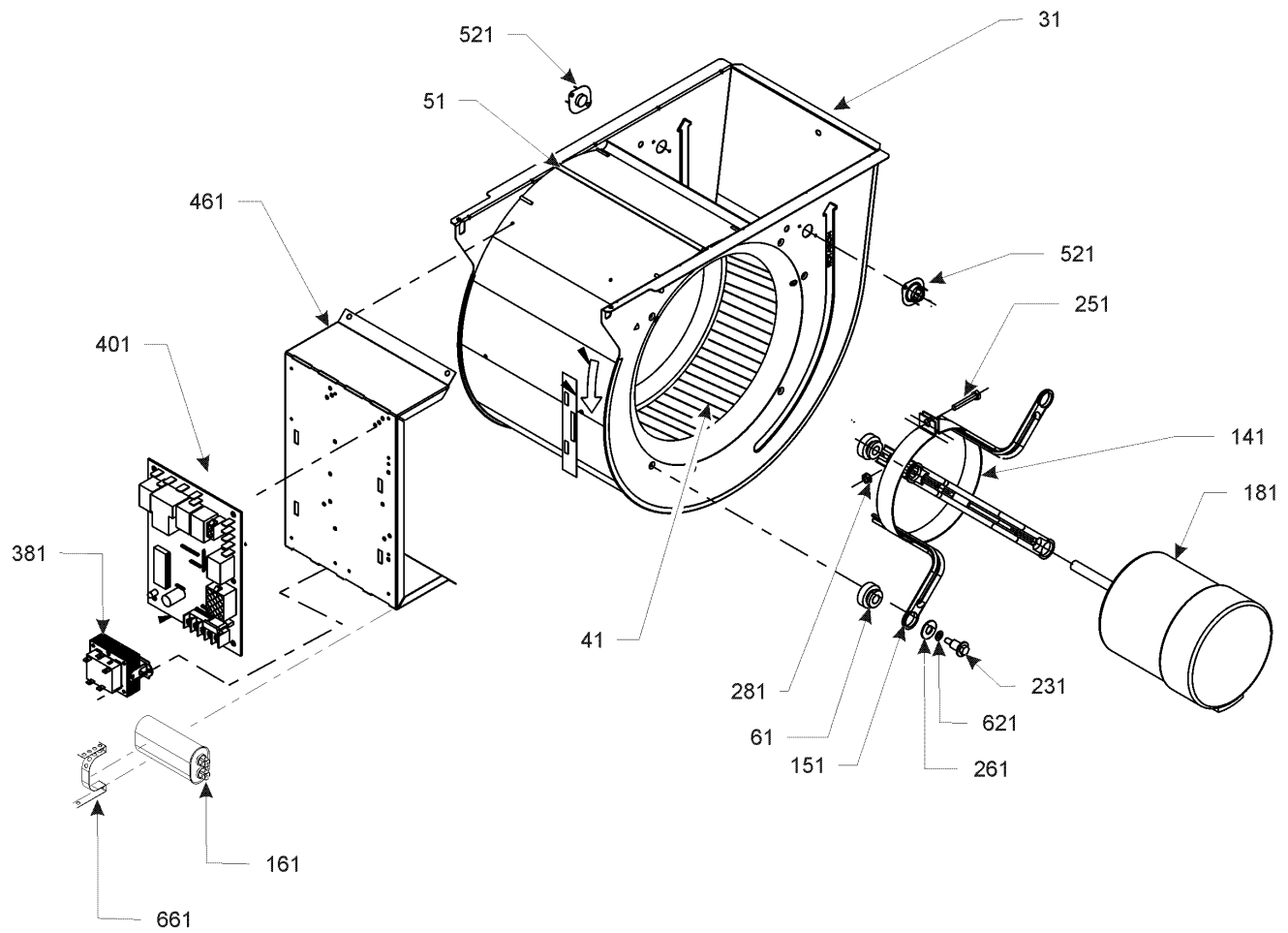
**Image 2:**

12	10254303	RUBBER COUPLING
22	M0119207	HOSE CLAMP (QTY 5)
52	M0119206	HOSE CLAMP (QTY 4)
62	0161F00047	HOSE BARBED COUPLING
82	0163M00049	HOSE CLAMP (QTY 2)
92	0164M00016	PRESSURE SWITCH HOSE

**Expanded Model Nomenclature**

- |                     |
|---------------------|
| M1 - GCSS960402BNAA |
| M2 - GCSS960603BNAA |
| M3 - GCSS960804CNAA |
| M4 - GCSS961005CNAA |
| M5 - GCSS961205DNAA |

# Blower Assembly



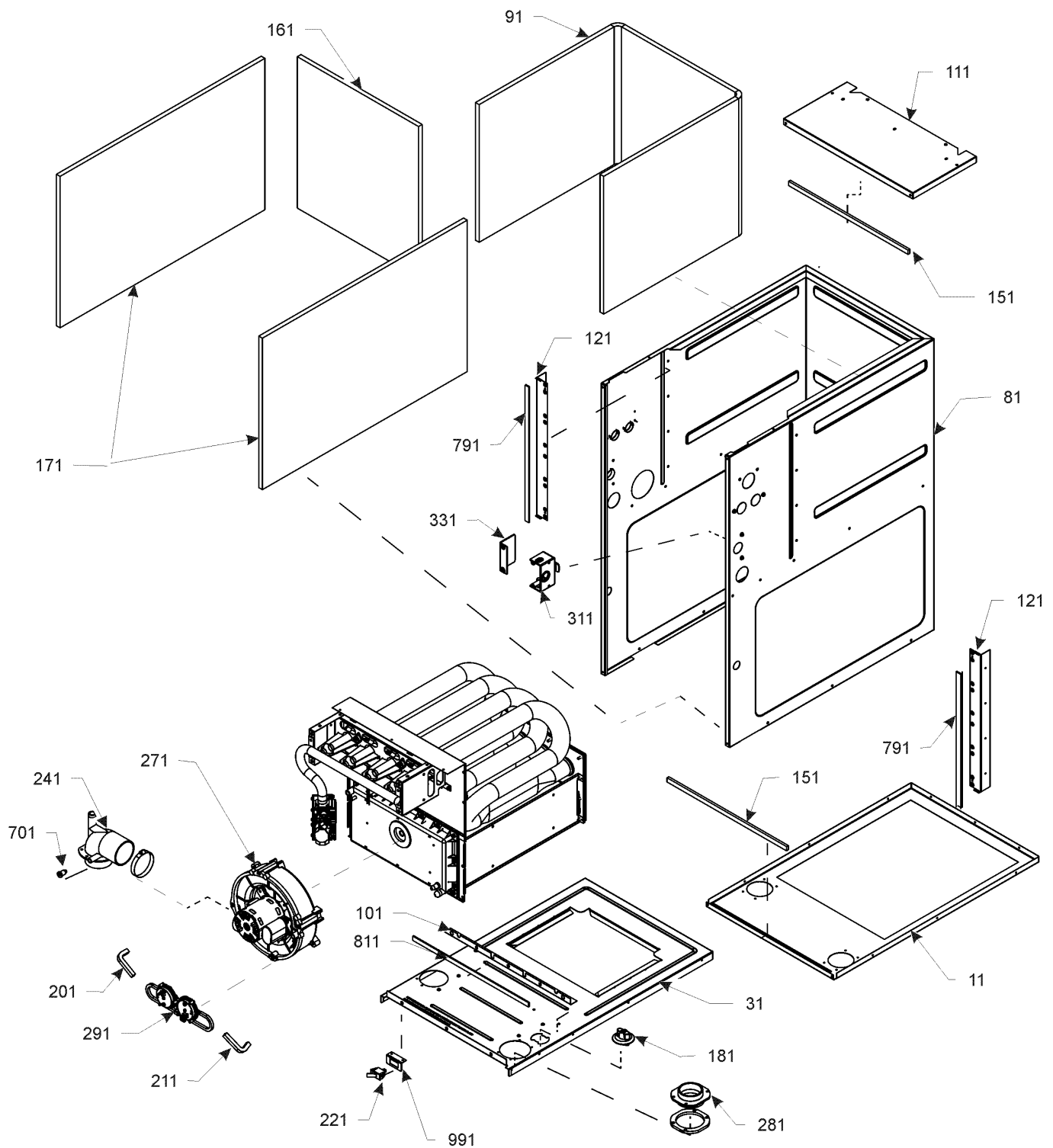
# Blower Assembly

Ref. Part No:	No:	Description:	Ref. Part No:	No:	Description:
<i>Image 1:</i>					
31	0271F00161	BLOWER SHELL & WHEEL ASSY (M4)			
31	0271F00163	BLOWER SHELL & WHEEL ASSY (M5)			
31	2939204	BLWR SCROLL 10X10 (M3)			
31	2939203	BLWR SCROLL 10X8 (M1, M2)			
41	0150M00043	BLOWER WHEEL 10 X 8 (M1, M2)			
51	764741F	BLOWER BLOCK-OFF 10 X 10 (M3)			
51	764740	BLOWER BLOCK-OFF,10X8 (M1, M2)			
61	A4002702	BLOWER MOTOR GROMMET (M4, M5)			
141	10441601	MOTOR MOUNT BAND (M4, M5)			
151	10441501	MOTOR MOUNT ARM (M4, M5)			
161	CAP125000370VAP	CAP, 12.5 MFD/370V/OVAL (M1, M2)			
161	CAP150000370VAP	CAP, 15 MFD/370V/OVAL (M4, M5)			
161	CAP200000370VAP	CAP, 20 MFD/370V/OVAL (M3)			
181	0131F00038	MOTOR, 1/2 HP (M3)			
181	0131F00027	MOTOR, 1/3HP, 4SP, 6PL (M1, M2)			
181	0131F00031	MOTOR, 3/4 HP (M4, M5)			
231	M0221461	TC SCREW (M4, M5)			
231	M0250558	TC SCREW (M1, M2, M3)			
251	M0267144	MACHINE SCREW (M4, M5)			
261	M0274008	FLAT WASHER (M4, M5)			
281	M0282015	KEPS NUT (M4, M5)			
381	0130M00140	TRANSFORMER, 120V TO 24V,40VA			
401	PCBBF135	PCB, IGNITION, HSI, INTEG			
461	0121F00464	CONTROL MOUNTING PLATE			
521	0130F00038	PRIMARY LIMIT - LT BLUE 120° (AUX) (QTY 2)			
621	B1392820	SLIT LOCK WASHER (M4, M5)			
661	20520901	CAPACITOR STRAP			
NS	B1392021	1" PLASTIC PLUG (M1, M2, M3)			
NS	0259F00024	WIRE HARNESS - BLOWER			

## Expanded Model Nomenclature

- |                     |
|---------------------|
| M1 - GCSS960402BNAA |
| M2 - GCSS960603BNAA |
| M3 - GCSS960804CNAA |
| M4 - GCSS961005CNAA |
| M5 - GCSS961205DNAA |

# Chassis





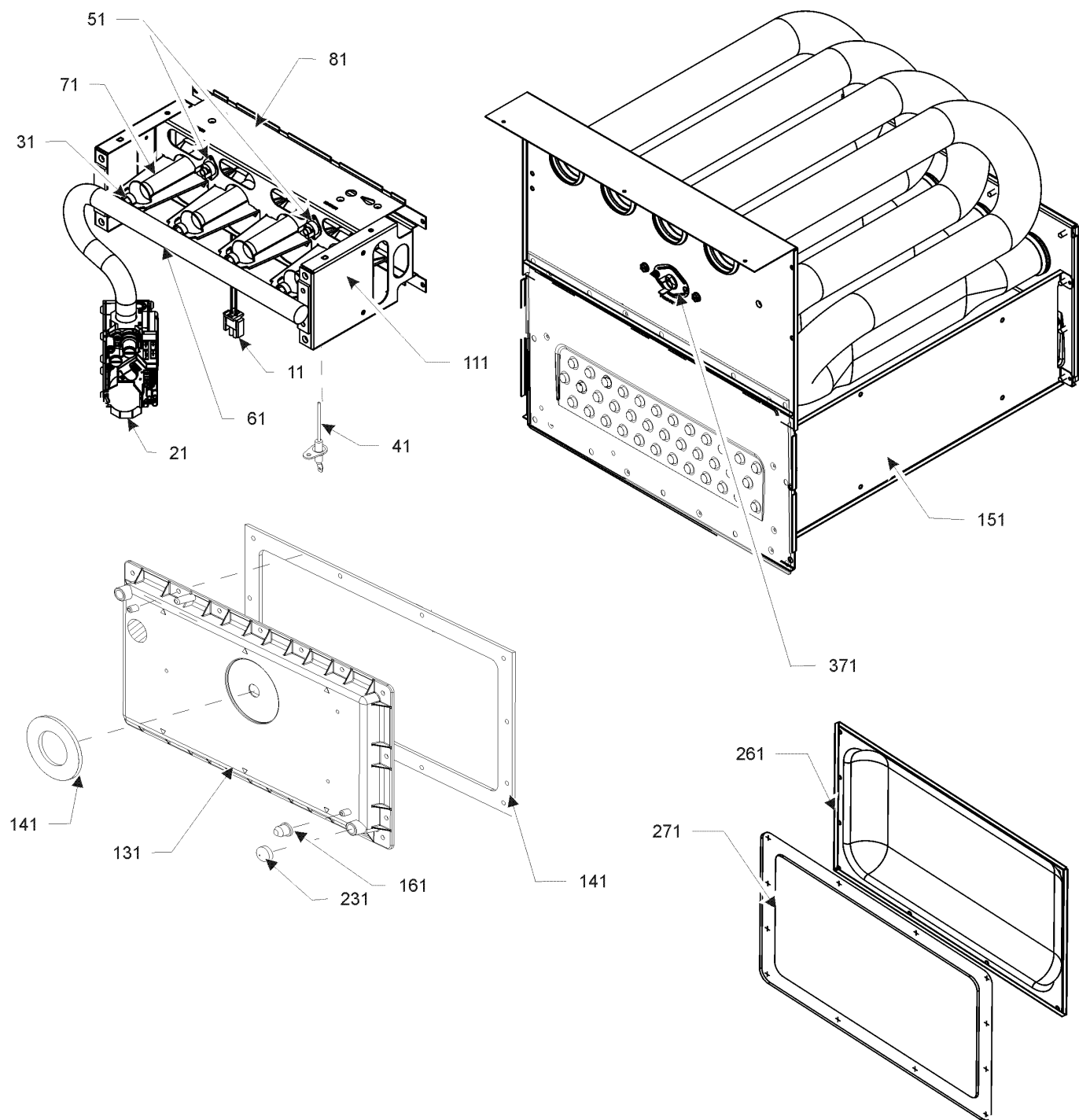
# Chassis

Ref. Part No: No:	Description:	Ref. Part No: No:	Description:
<b>Image 1:</b>			
11	0121F00435DG		PAINTED BASE PAN-21" C (M3, M4)
11	0121F00443DG		PAINTED BASE PAN-24.5" CF (M5)
11	0121F00427DG		PAINTED BASEPAN,17.5" CF (M1, M2)
31	0121F00441		DECK, BLOWER, 24.5 CF (M5)
31	0121F00425		DECK-BLOWER, 17.5" CF (M1, M2)
31	0121F00433		DECK-BLOWER, 21" CF (M3, M4)
81	0121F00448		WRAPPER-1PC, 17.5 CF (M1, M2)
81	0121F00449		WRAPPER-1PC, 21 CF (M3, M4)
81	0121F00450		WRAPPER-1PC, 24.5 CF (M5)
91	0160F00015		INSULATION, HT EXCHANGER 17.5" (M1, M2)
91	0160F00016		INSULATION, HT EXCHANGER 21" (M3, M4)
91	0160F00017		INSULATION, HT EXCHANGER 24.5" (M5)
101	0121F00314		ANGLE, DECK (M1, M2)
101	0121F00315		ANGLE, DECK (M3, M4)
101	0121F00316		ANGLE, DECK (M5)
111	0121F00426DG		TOP, PAINTED FURNACE 17.5" CF (M1, M2)
111	0121F00434DG		TOP, PAINTED FURNACE 21" CF (M3, M4)
111	0121F00442DG		TOP, PAINTED FURNACE 24.5 CF (M5)
121	0121F00313		SIDE ANGLE (QTY 2)
151	20215701S		GASKET-FA
161	0160F00012		INSULATION-BACK 17.5" (M1, M2)
161	0160F00013		INSULATION-BACK 21" (M3, M4)
161	0160F00014		INSULATION-BACK 24.5" (M5)
171	0160F00018		INSULATION, SIDE (QTY 2)
181	0159F00044		HARNESS, WIRING
201	0164M00008		PRESSURE HOSE, SW
211	0164M00015		PRESSURE SWITCH HOSE (M1, M2)
221	B1370818		INTERLOCK SWITCH
241	0164F00003		ELBOW-FLUE, 17.5" CFLOW (M1, M2)
241	0164F00004		ELBOW-FLUE, 21" CFLOW (M3, M4)
241	0164F00005		ELBOW-FLUE, 24.5" CFLOW (M5)
271	0171M00001		MOTOR-ID, BLOWER
281	0161F00037		COUPLING
291	0130F00476		PRESSURE SWITCH (-.1 / -.85) (M5)
291	0130F00477		PRESSURE SWITCH (-.1 / -1.27) (M3, M4)
291	0130F00478		PRESSURE SWITCH (-.1 / -1.49) (M1, M2)
311	0161F00042		JUNCTION BOX
331	0161F00043		JUNCTION BOX LID
701	M0326804		TUBE PLUG
791	0154F00015		GASKET (QTY 2)
811	0154F00014		GASKET (M1, M2)
811	0154F00016		GASKET (M3, M4)
991	0121F00389		BRACKET, DOOR SWITCH

## Expanded Model Nomenclature

M1 - GCSS960402BNAA
M2 - GCSS960603BNAA
M3 - GCSS960804CNAA
M4 - GCSS961005CNAA
M5 - GCSS961205DNAA

# Heat Exchanger / Manifold / Gas Valve



# Heat Exchanger / Manifold / Gas Valve

Ref. Part No: No:	Description:	Ref. Part No: No:	Description:
<i>Image 1:</i>		<b>Expanded Model Nomenclature</b>	
11	0130F00008	M1 - GCSS960402BNAA	
21	0151M00037	M2 - GCSS960603BNAA	
31	0163F00004	M3 - GCSS960804CNAA	
41	0130F00010	M4 - GCSS961005CNAA	
51	0130F00123	M5 - GCSS961205DNAA	
51	10123534		
51	10123539		
61	0163F00007		
61	0163F00008		
61	0163F00009		
61	0163F00010		
61	0163F00011		
71	0163F00017		
81	0121F00456		
81	0121F00455		
81	0121F00454		
81	0121F00453		
81	0121F00451		
111	0121F00469		
111	0121F00468		
111	0121F00467		
111	0121F00466		
111	0121F00465		
131	0161F00030		
131	0161F00053		
131	0161F00054		
131	0161F00060		
131	0161F00063		
141	0154F00011		
141	0154F00012		
141	0154F00013		
151	0257F00285		
151	0257F00294		
151	0257F00358		
151	0257F00359		
151	0257F00313		
161	M0326804		
231	A1781105		
261	0121F00317		
261	0121F00318		
261	0121F00319		
271	0154F00008		
271	0154F00009		
271	0154F00010		
371	20162903		
371	20162906		
371	0130F00071		
371	20162901		
NS	0121F00439		
NS	0121F00355		